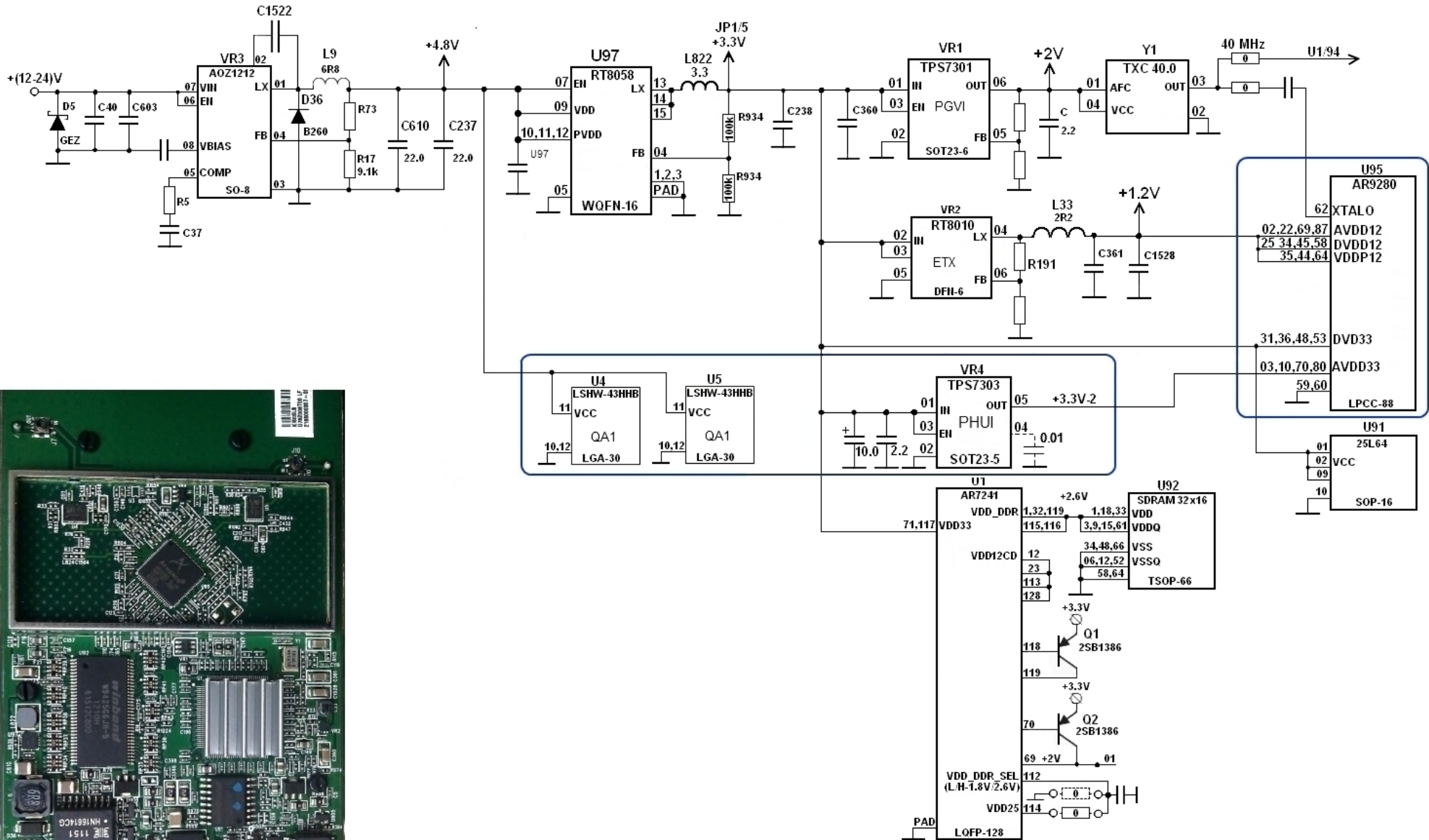


modifications		date	name	description	pages
date	name			Ubiquiti Nanostation M5 revers	
17.07.2017	kkk				page no. 2



modifications		date	name	description	pages
date	name				Ubiquiti Nanostation M5 revers
20.07.2017	kkk			page no.	
				diagram no.	1